

Nick Barnitz, PE

Structural Engineer

27490 Rolling Pines Court, Lawton MI 49065

269-567-8682

nbarnitz@gmail.com

June 14, 2019

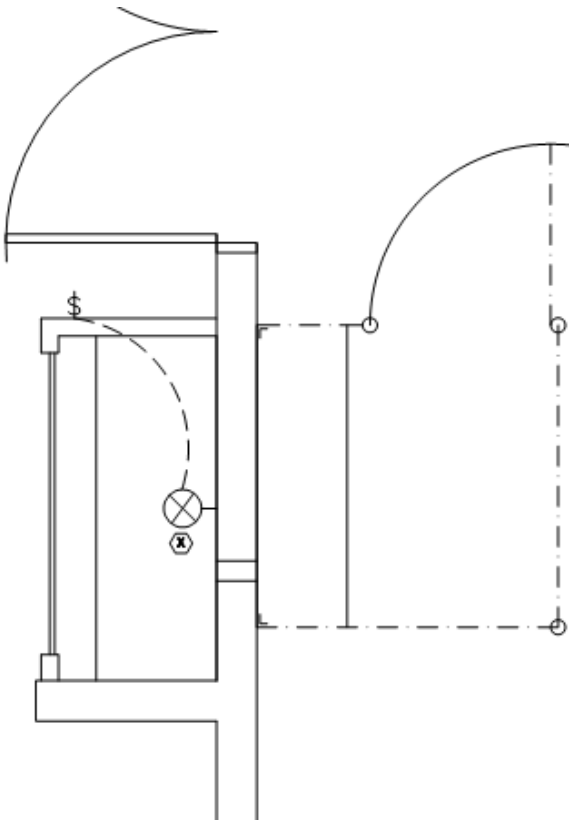
Mr. Daniel Ruzick
Antwerp Township Supervisor
24821 Front Ave.
Mattawan, MI 49071
Email: druzick@antwerptownship.com

Re: Township Activity Center Building
East Entry Upgrade, Beverage Service Area
Addendum 1 to Drawing Set, Issued for Bid, June 6, 2019

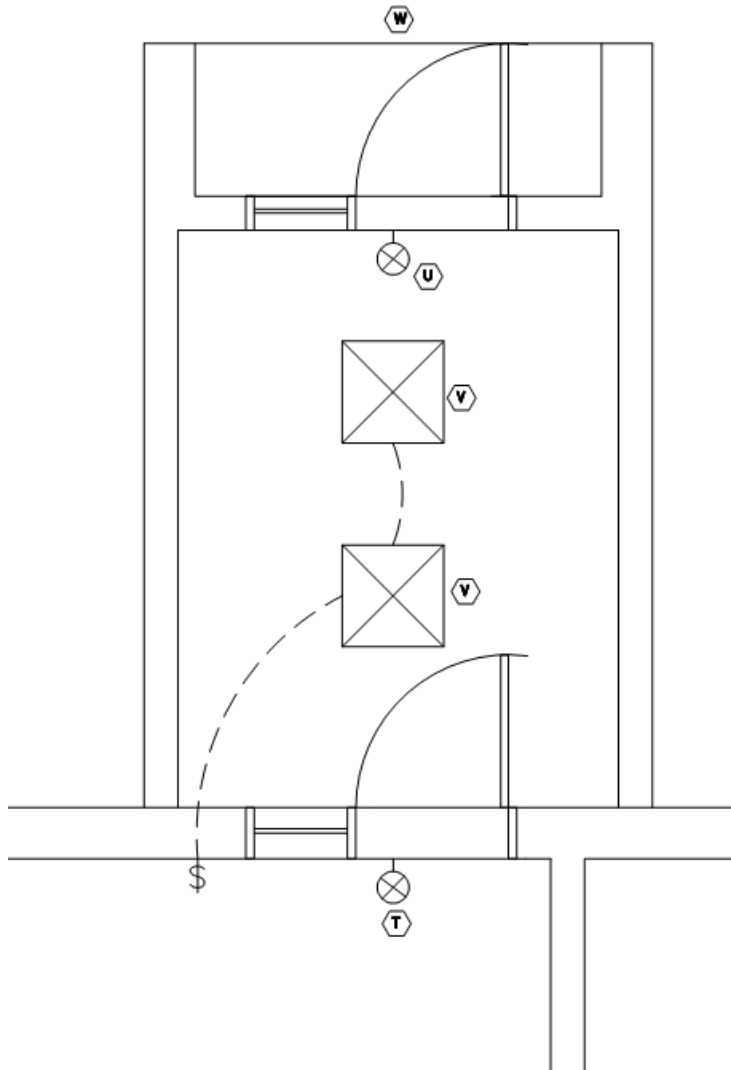
Dear Dan:

Please add this Addendum to the Project Drawing Set, issued for bid on June 6, 2019.

East Entry and Beverage Service Area Lighting Plans



BEVERAGE SERVICE LIGHTING



EAST ENTRY LIGHTING

- (T)** EXISTING WALL MOUNT EMERGENCY EXIT LIGHT TO BE REUSED
- (U)** NEW WALL MOUNT EMERGENCY EXIT LIGHT- TWO LIGHT, PRIMARY AC POWER, BATTERY BACK UP. STYLE TO MATCH ORIGINAL.
- (V)** (2) LED 2'x2' GRID MOUNTED CEILING LIGHTS TO MATCH NORTH ENTRIES. CEILING LIGHTS TO BE SWITCHED ON BY EITHER EXTERIOR DOOR OPERATION. 15 MINUTE SHUT OFF DELAY. MANUAL SWITCH OVERRIDE.
- (W)** EXISTING EXTERIOR LIGHT TO BE RELOCATED
- (X)** WALL MOUNTED LED ABOVE COUNTER LIGHT FIXTURE. 4' LINEAR "SAYLITE, 44 SERIES" OR EQUAL.

Nick Barnitz, PE

Structural Engineer

Page 3

Sincerely,

A handwritten signature in black ink that reads "Nick Barnitz". The signature is written in a cursive style with a prominent loop at the end of the last name.

Nick Barnitz, PE